

PAMS Technical Documentation

NSB-6 Series Transceivers

Service Tools

CONTENTS

Service Box JBU-6	5
Product Code	5
View of JBU-6	5
RF Adapter RA6 and RF Coupler JS4 for Service Box JBU-6	5
Test Jig MJS-9	6
Product Code	6
View of MJS-9	6
Soldering Jig MJS-21	7
Product Code	7
View of MJS-21	7
RF Test Adapter AAT-8 (Service Antenna)	8
Product Code	8
View of AAT-8	8
Flash Loading Adapter FLA-10	9
Sales package code	9
View of FLA-10	9
View of FLC-2	9
Battery Connector Extractor Tool SRT-3	10
Product Code	10
View of SRT-3	10
Flash Loading Adapter FLA-5 (Sales Pack)	11
Sales package code	11
View of FLA-5	11
Flash Loading Adapter FLA-7 (Sales Pack) Optional	12
Sales package code	12
View of FLA-7	12
Flash Prommer FPS-4S (Sales Pack)	13
Sales package code	13
View of FPS-4S	13
Flash Security Box TDF-4	14
Product Code	14
View of TDF-4	14
View of IR Data Interface Module JLP-1	14
Product Code	14
Audio Box JBA-6	15
Product Code	15
View of JBA-6	15
Audio Cable ADS-3	16

Product Code	16
View of ADS-3	16
Service Cable AXS-4	17
Product code	17
View of AXS-4	17
Service Cable AXS-4U	18
Product code	18
View of AXS-4U	18
D15-D15 Cable AXS-5 (Option for Americas)	19
Product Code	19
View of AXS-5	19
MBUS Cable DAU-9S	20
Product Code	20
View of DAU-9S	20
DC Charging Cable PCC-1	21
Product Code	21
View of PCC-1	21
Power Cable PCS-1	22
Product Code	22
View of PCS-1	22
DC Cable SCB-3	23
Product Code	23
View of SCB-3	23
DC Power Cable SCF-7	24
Product code	24
View of SCF-7	24
Service Cable XMS-3	25
Product code	25
View of XMS-3	25
RF Cable XRF-1	26
Product code	26
View of XRF-1	26
RF Cable XRS-3	27
Product code	27
View of XRS-3	27
SW Security Device PKD-1	28
Product Code	28
View of SW Security Device	28
Dongle/Flash Device FLS-2D (Sales Pack)	29

Sales package code 29
View of FLS-2D 29
Sales Pack Contents 29

Service Box JBU-6

The Service Box JBU-6 is used:

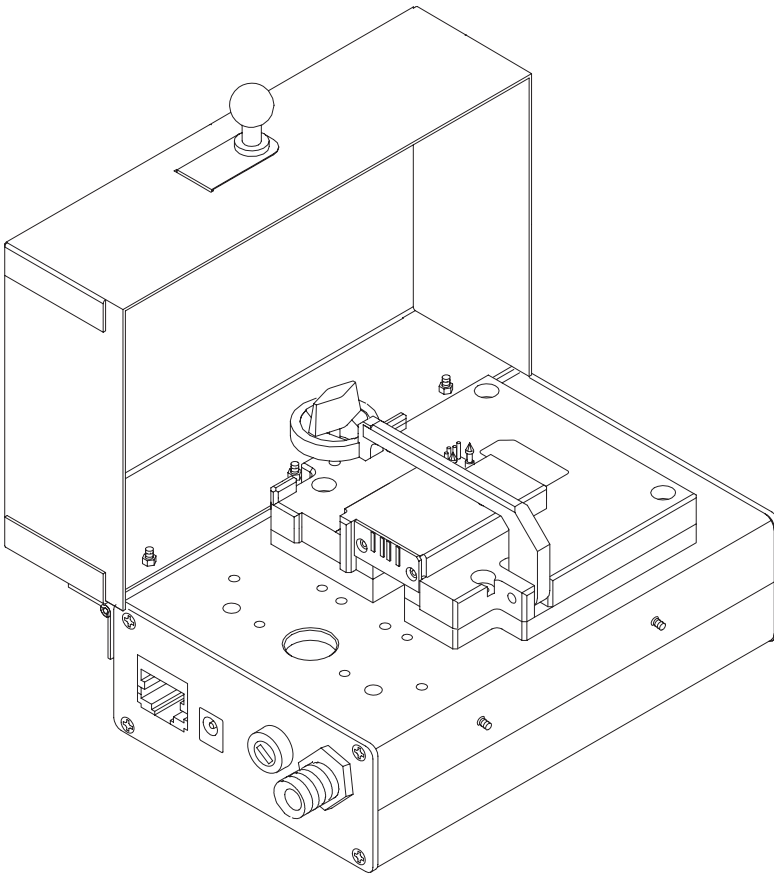
- to make connection between transceiver and FLA-5/7 for flashing
- to help functional tests
- to enable connection to test/measurement devices
- to generate accurate 4.1 and 8.4 voltage for Vbatt and Vin/Vchar lines
- to generate accurate 500mA current for charging calibration Vin line
- to generate 10 ms IBI-pulse to BTMP-line

NOTE: JBU-6 cover should be closed during measurements.

Product Code

Service Box JBU-6: 0770153

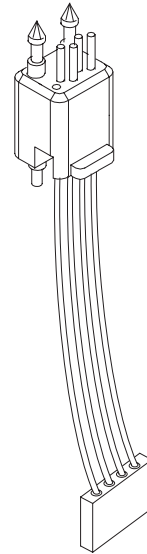
View of JBU-6



SCD-6:

Sales Package code: 0080329

Product code: 9780263.

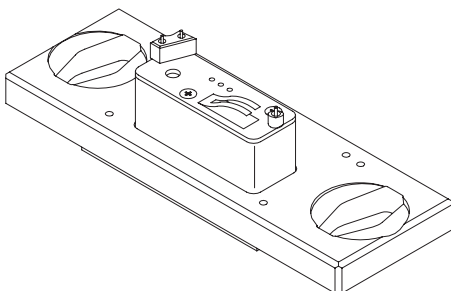


Pinset Cable SCD-6:
Spare part for JBU-6.

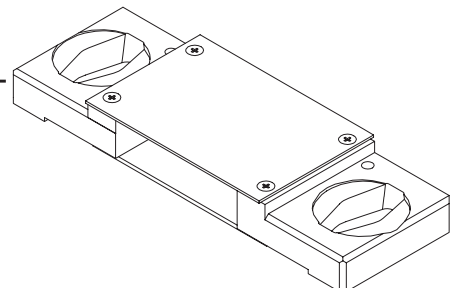
RF Adapter RA6 and RF Coupler JS4 for Service Box JBU-6

RF Adapter RA6: 0770174

RF Coupler JS4: 0201496



NOTE! See also RA6 and JS4 calibration information in Service Software-Tuning Instructions section.



Test Jig MJS-9

The Test Jig MJS-9 is used for repair of system/RF module*. The zoom in picture contains two changeable over voltage protection components:

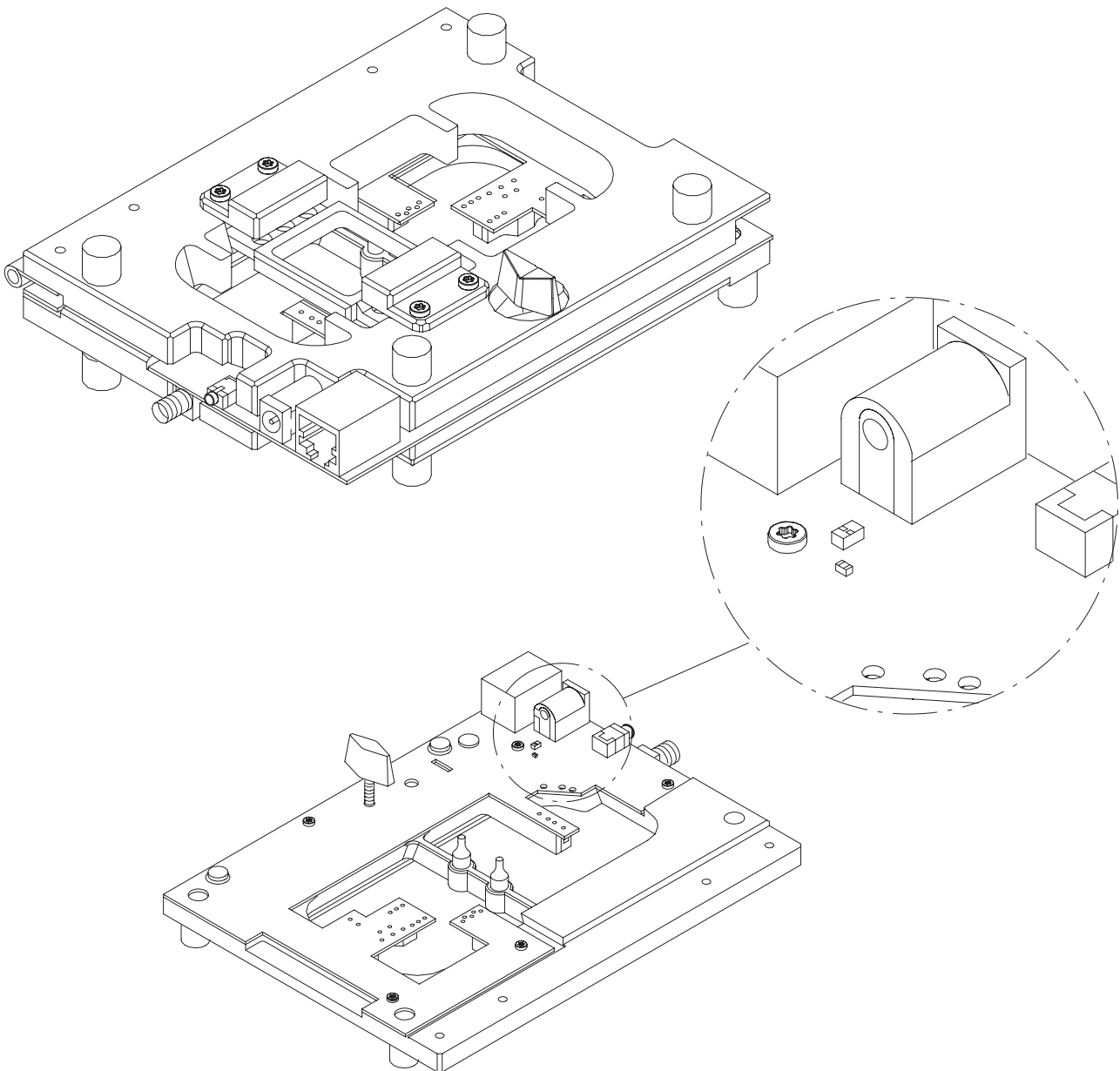
SM Fuse F2.0 A 32V 1206 F 001 T	5119002 (larger of the two)
VWM 5.6V VC15.5 R 008 T	1825019

Product Code

Module Jig MJS-9:

0770154

View of MJS-9



*Note: The nominal supply voltage for MJS-9 is +8.0 V.
The supply voltage must not exceed +15.0 V.
(MJS-9 has overvoltage protection).

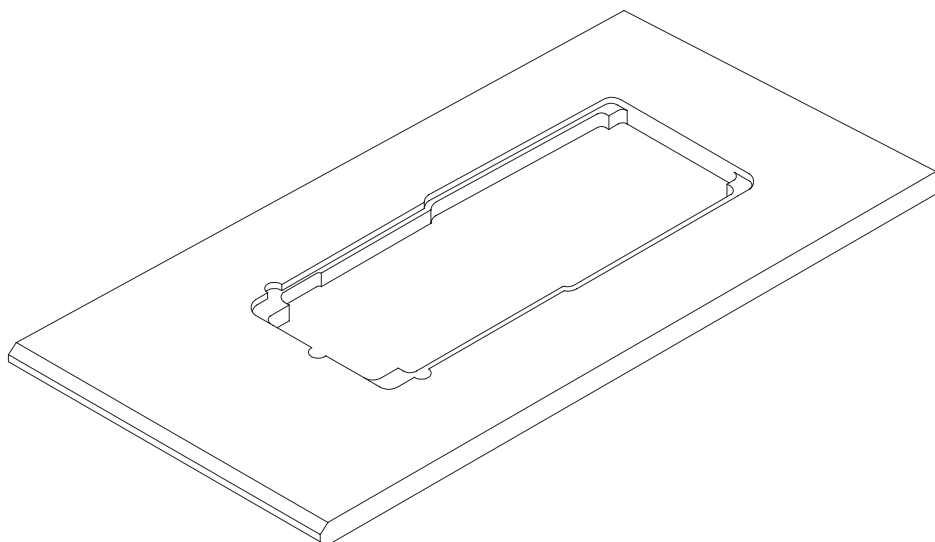
Soldering Jig MJS-21

The Soldering Jig MJS-21 is used for soldering (in automatic soldering machines) and as a rework jig for system module, if special fixtures (like extra feet) are used.

Product Code

Module Jig MJS-21:	0770225
Rubber Feet (4 pcs included with MJS-21):	6501005

View of MJS-21



RF Test Adapter AAT-8 (Service Antenna)

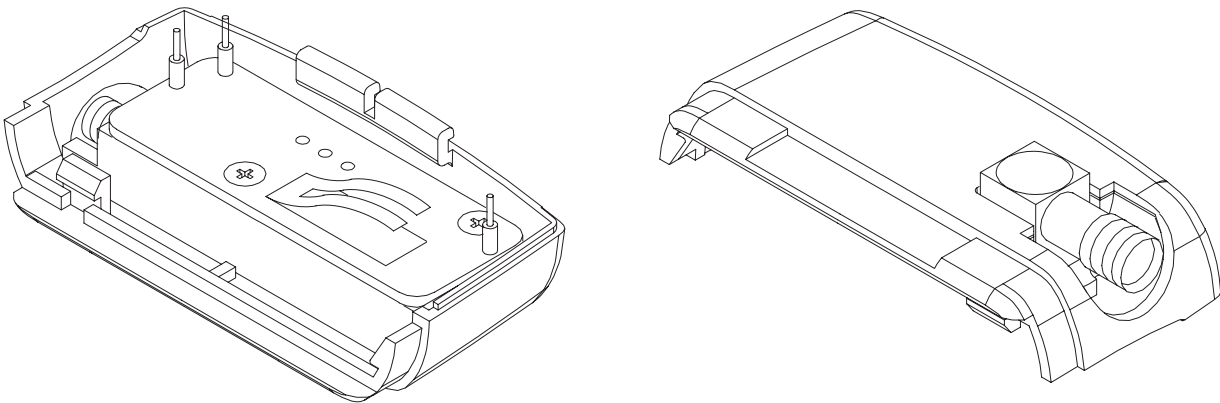
The Service Antenna AAT-8 is used in place of the phone's normal antenna during RF measurements. Use RF Cable XRF-1 (0730085).

Product Code

RF Test Adapter AAT-8:

0770173

View of AAT-8



Flash Loading Adapter FLA-10

The Flash Loading Adapter FLA-10 is used in place of the phone's normal battery during service or flashing, to supply a controlled operating voltage.

Sales package code

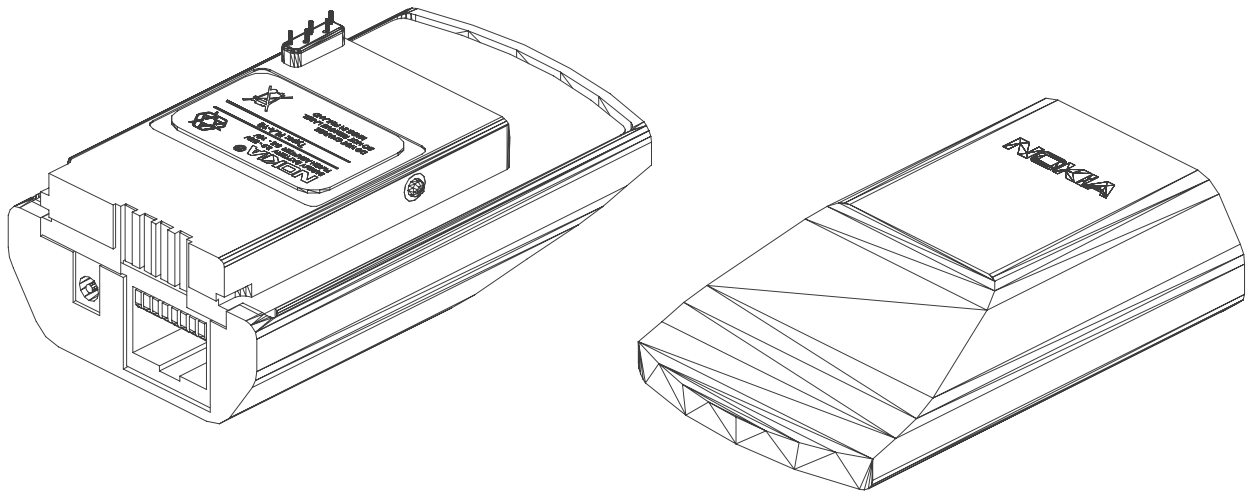
Flash Loading Adapter FLA-10: 0081346

Sales package contains:

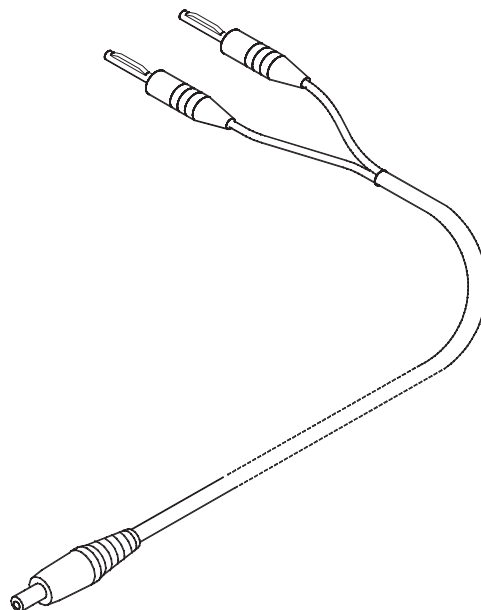
Flash Loading Adapter FLA-10 (bulk) 0770229

DC Cable FLC-2 0730185

View of FLA-10



View of FLC-2



Battery Connector Extractor Tool SRT-3

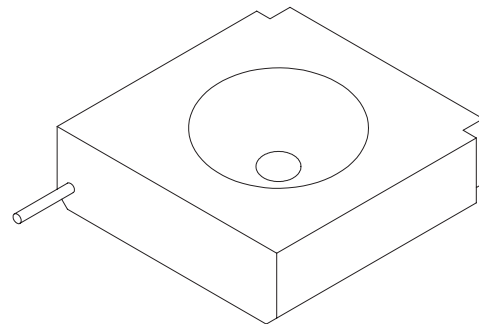
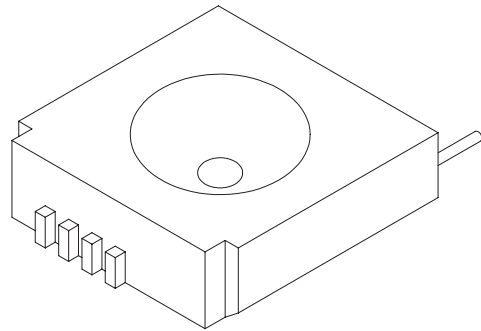
The Battery Connector Extractor Tool is used to remove the antenna or battery connector from the main frame.

Product Code

Battery Connector Extractor Tool SRT-3:

0770226

View of SRT-3



Flash Loading Adapter FLA-5 (Sales Pack)

The Flash Loading Adapter FLA-5 is used with the Falsh Loading Adapter FLA-10 and Service Cable XMS-3. Power is supplied to FLA-5 from the Flash Security Box TDF-4 via the DC cable PCC-1, (The PCC-1 cable can be replaced with a Travel Charger ACH-6), and is connected to the Flash Prommer FPS-4S with the cable AXS-5.

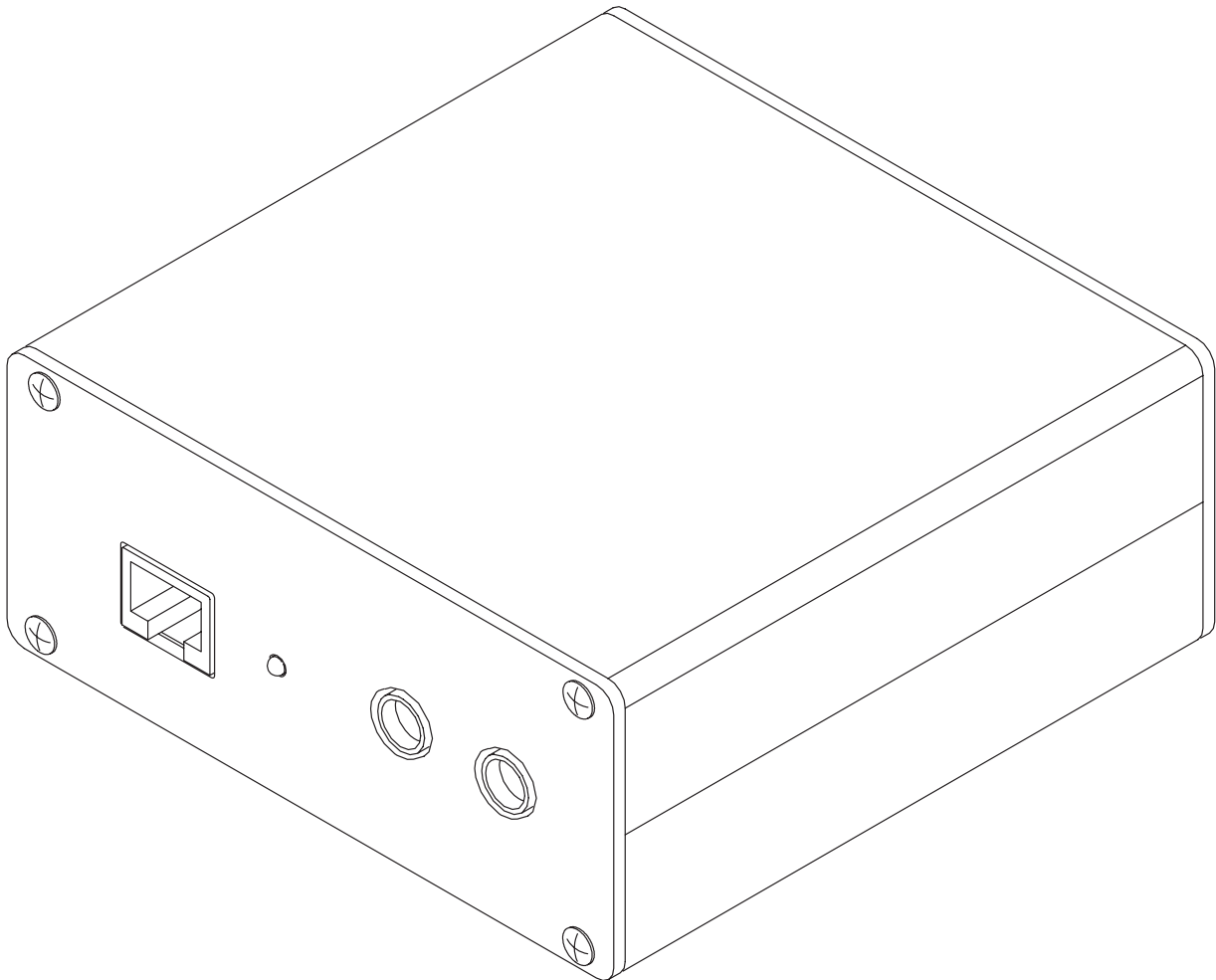
The sales pack includes:

- | | |
|-----------------------------------|---------|
| - Flash Loader Adapter FLA-5 | 0770085 |
| - Service cable SCH-5 | 0730098 |
| - D15 - D15 Cable AXS-5 | 0730091 |
| - Installation software for FPS-4 | 8400041 |

Sales package code

Flash Loading Adapter FLA-5: 0080178

View of FLA-5



Flash Loading Adapter FLA-7 (Sales Pack) Optional

NOTE: If you already have FLA-5, FLA-7 is not needed. The Flash Loading Adapter FLA-7 is used with the FLA-10 and Service Cable XMS-3. Power is supplied to FLA-7 from the Flash Security Box TDF-4 via the DC cable PCC-1, (The PCC-1 cable can be replaced with a Travel Charger ACH-6), and is connected to the Flash Prommer FPS-4S with the cable AXS-5.

The sales pack includes:

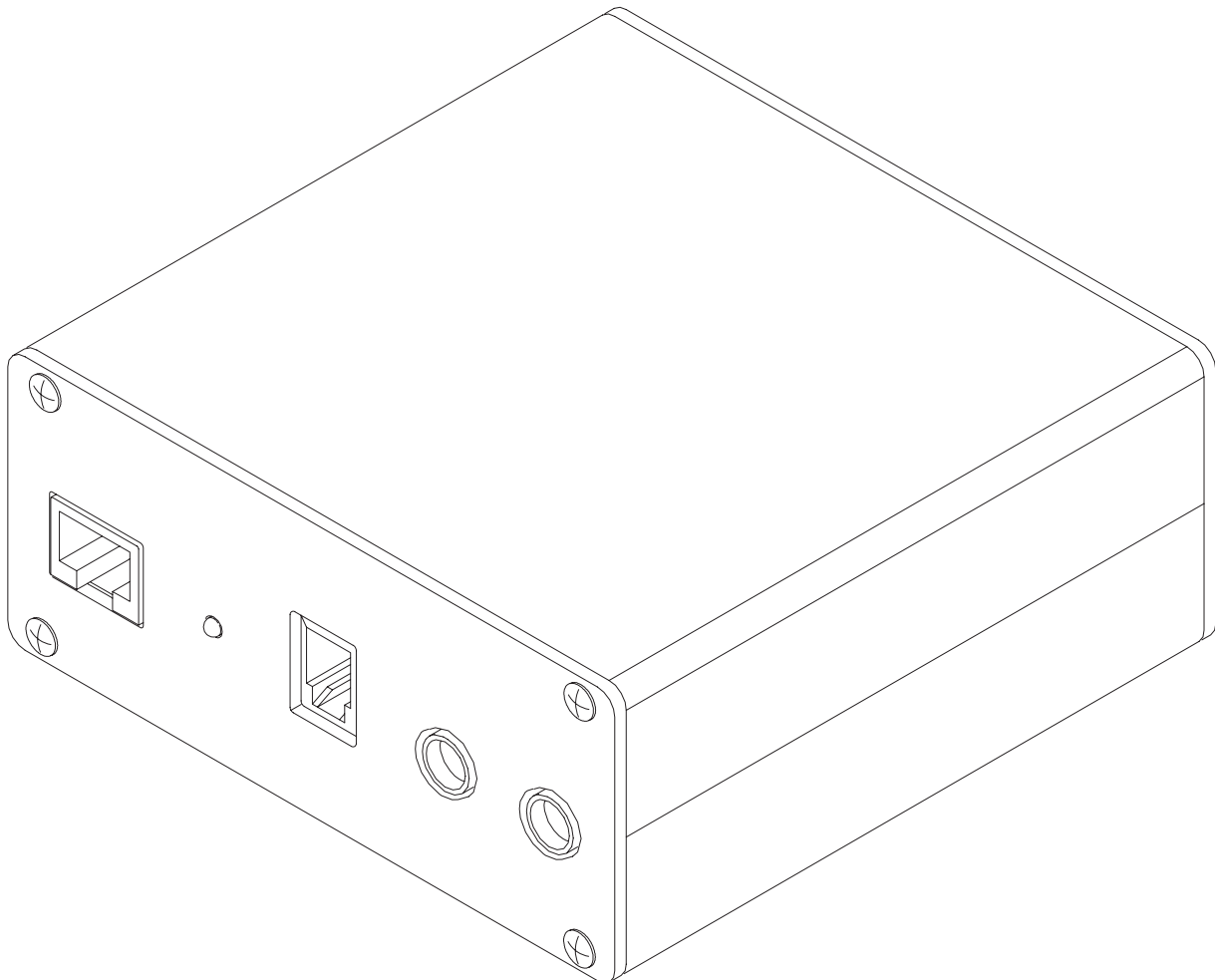
- | | |
|-------------------------------|---------|
| - Flash Loading Adapter FLA-7 | 0770119 |
| - *Service Cable XCM-5 | 0730142 |
| - Power Cable SCF-7 | 0730141 |
| - Service Cable assy AXS-5 | 0730091 |

Note: Service Cable XMS-3 (0730174) is used with NSB-6.

Sales package code

Flash Loading Adapter FLA-7: 0080326

View of FLA-7



Flash Prommer FPS-4S (Sales Pack)

The Flash Prommer FPS-4S is used to update the main software of the phone. Updating is done by first loading the new MCU software from the PC to the flash prommer, and then loading the new SW from the prommer to the phone. When updating more than one phone in succession, the MCU software only needs to be loaded to the prommer once.

Sales package code

Flash Prommer FPS-4S:	0085095
Flash Prommer FPS-4S (Americas):	0081275

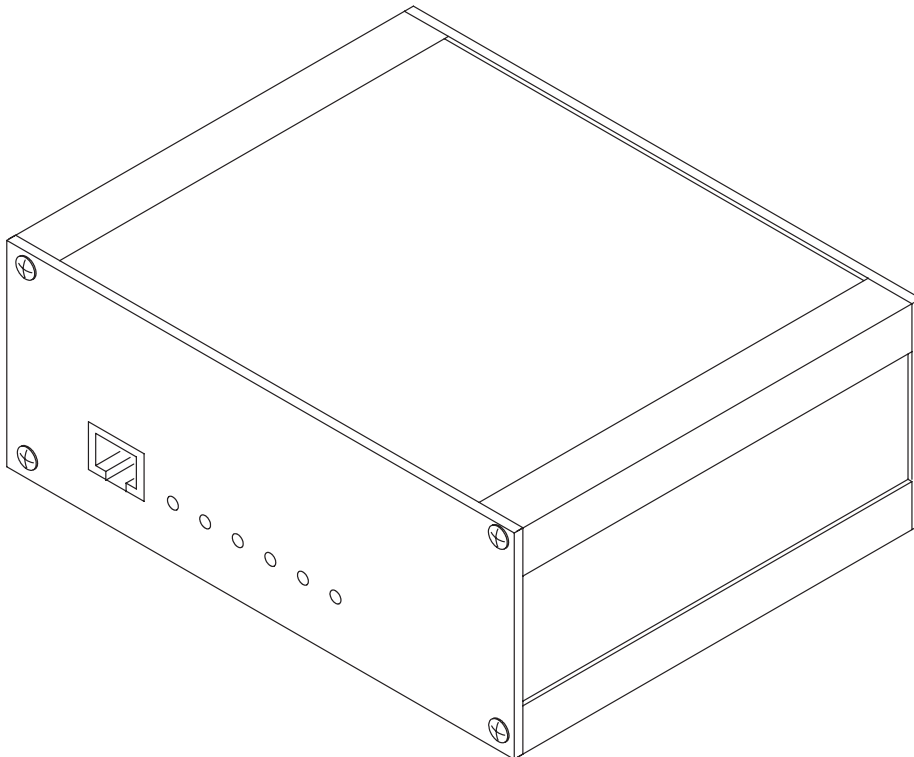
The FPS-4S sales pack **0085095** includes:

- Flash Prommer FPS-4	0750090
- Charger ACL-3E	0680015
- Printer cable IBM DB25F/57-30360	0730029
- D9 - D9 Cable AXS-4	0730090
- Flash Prommer software 3" disk	0774043
- Flash Device Support 3" disk	0774228

The FPS-4S (Americas) sales pack **0081275** includes:

- Flash Prommer FPS-4	0750090
- Installation Software FPS-4	8400041
- D9 - D9 Cable AXS-4	0730090
- Printer cable IBM DB25F/57-30360	0730029

View of FPS-4S



Flash Security Box TDF-4

The Security Box TDF-4 is required for updating MCU software, and infra red testing.

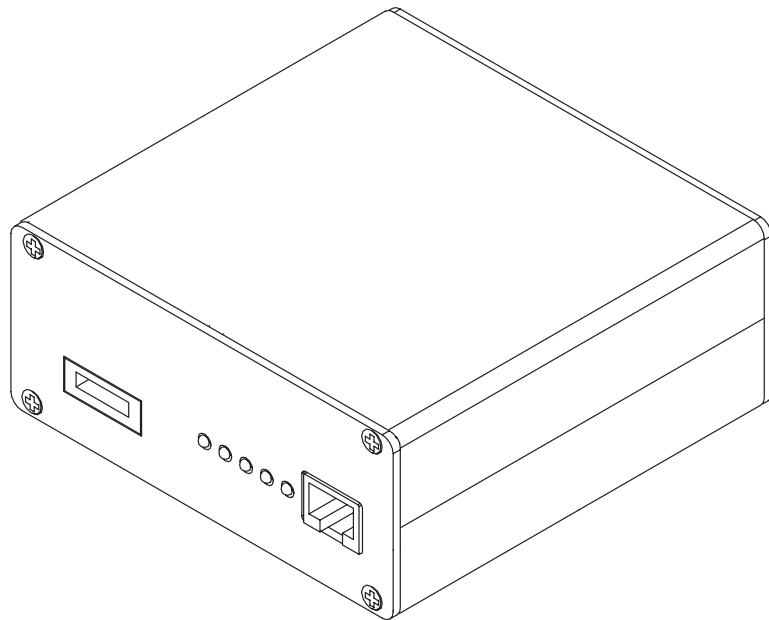
Note 1: TDF-4 is delivered in de-activated mode. Fill in the enclosed Activation Request Form, and fax to NMP Salo to get the activation code

Note 2: The infra red module JLP-1 (P/N 0750079) is not included in the TDF-4 sales package

Product Code

Security Box TDF-4: 0770106

View of TDF-4



View of IR Data Interface Module JLP-1

IR Data Interface Module JLP-1 fits in the Security Box TDF-4 and can be used to perform IR tests with WinTesla.

Product Code

IR Data Interface Module JLP-1: 0750079



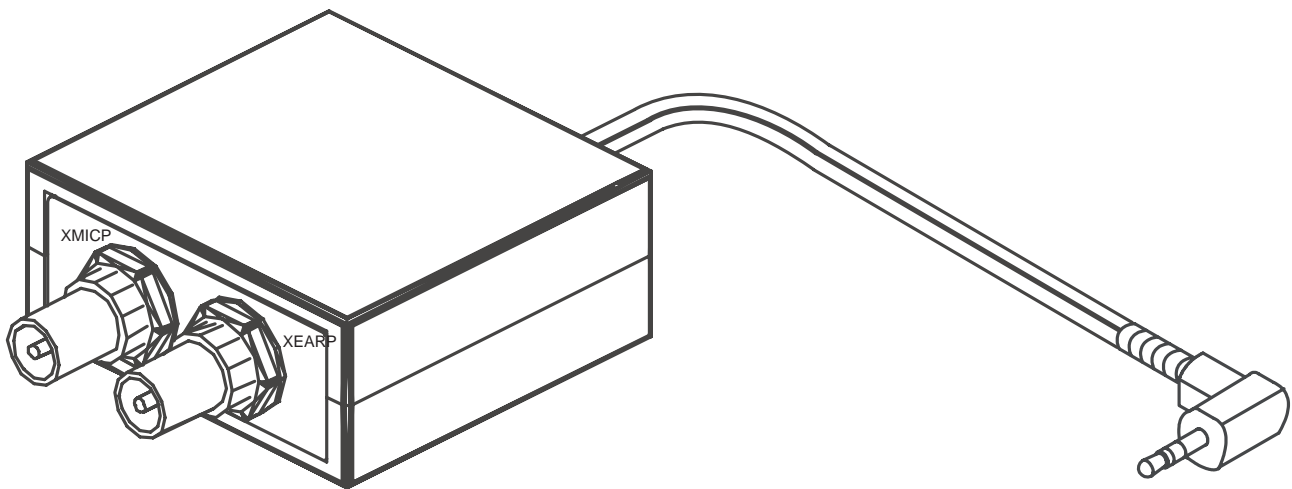
Audio Box JBA-6

The Service Audio Box JBA-6 is used between the phone and audio measuring equipment.

Product Code

Service Audio Box JBA-6: 0770184

View of JBA-6



Audio Cable ADS-3

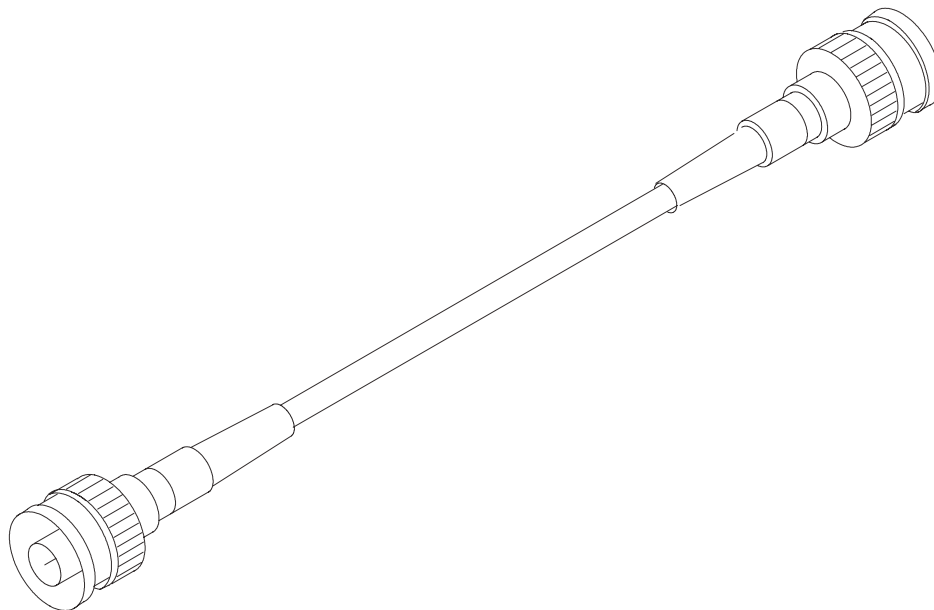
The Audio Cable ADS-3 is used with JBA-6 Audio Box. Cable length is 40 cm.

Product Code

Audio Cable ADS-3:

0730197

View of ADS-3



Service Cable AXS-4

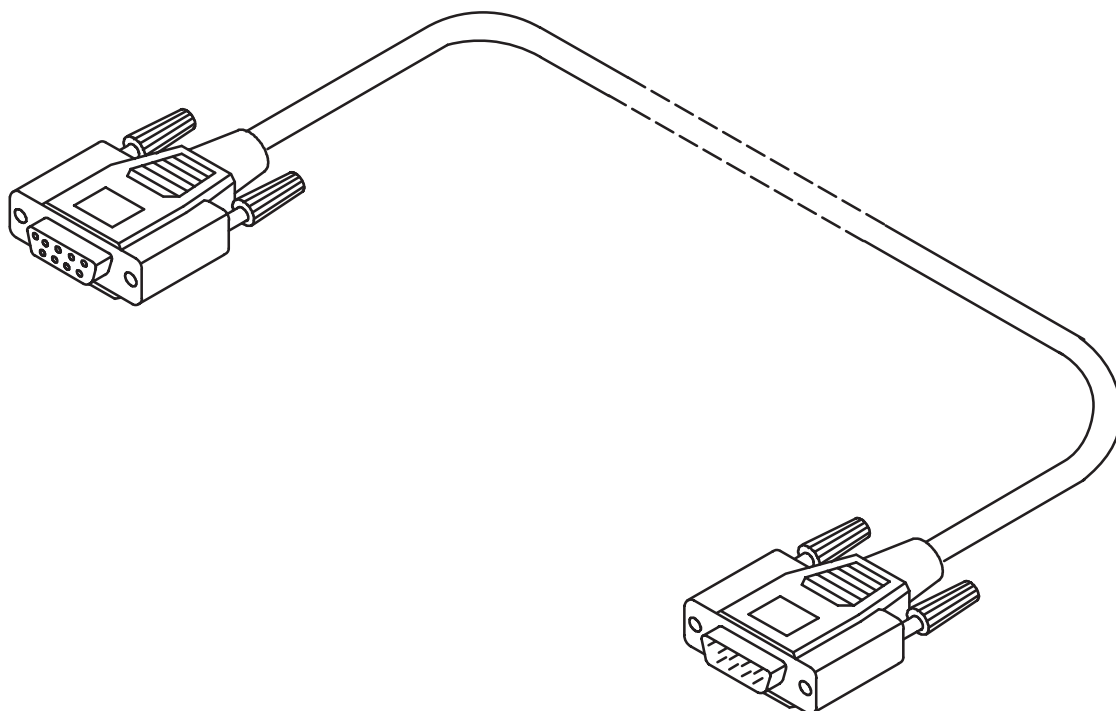
The D9-D9 Service Cable AXS-4 is used to connect two 9 pin D connectors e.g. between PC and TDF-4 security box. Cable length is 2 meters.

Product code

D9-D9 Service Cable AXS-4

0730090

View of AXS-4



Service Cable AXS-4U

The D9-D9 Service Cable AXS-4U is used to connect two 9 pin D connectors e.g. between PC's serial port and FLS-2D. Cable length is 30 cm.

Product code

D9-D9 Service Cable AXS-4U

0730163

View of AXS-4U



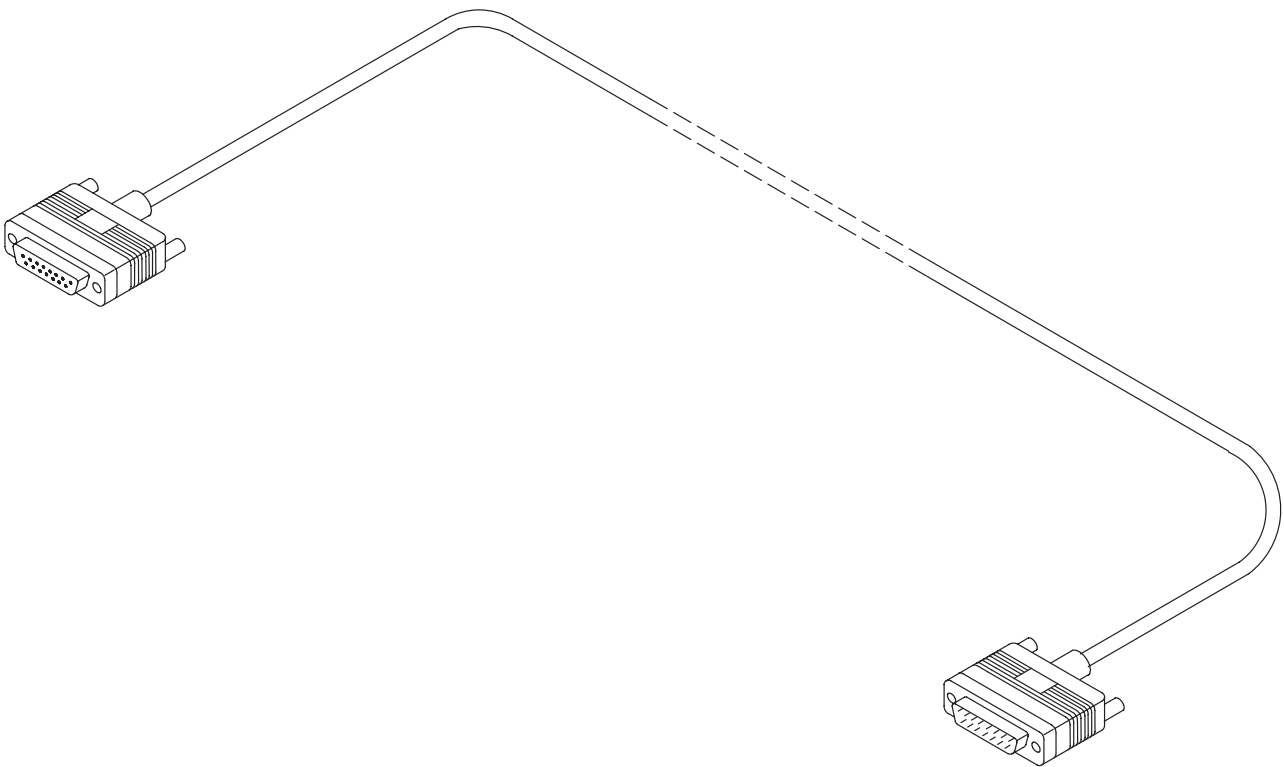
D15-D15 Cable AXS-5 (Option for Americas)

The D15-D15 Cable AXS-5 is used to connect two 15 pin D connectors. e.g. between FLA-5/7 and FPS-4S.

Product Code

D15-D15 Cable AXS-5: 0730091

View of AXS-5



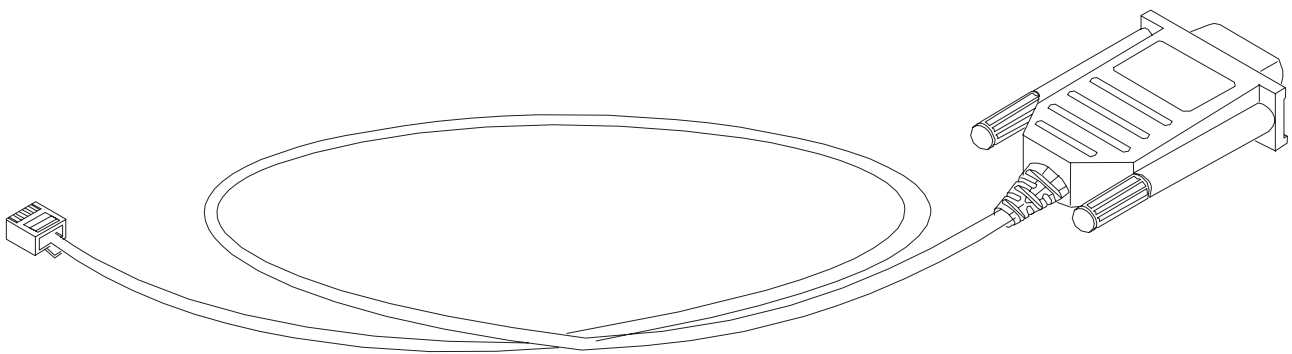
MBUS Cable DAU-9S

The MBUS Cable DAU-9S has a modular connector, and is used with the service Audio Box JBA-4, or a modular T-adapter.

Product Code

MBUS Cable DAU-9S: 0730108

View of DAU-9S



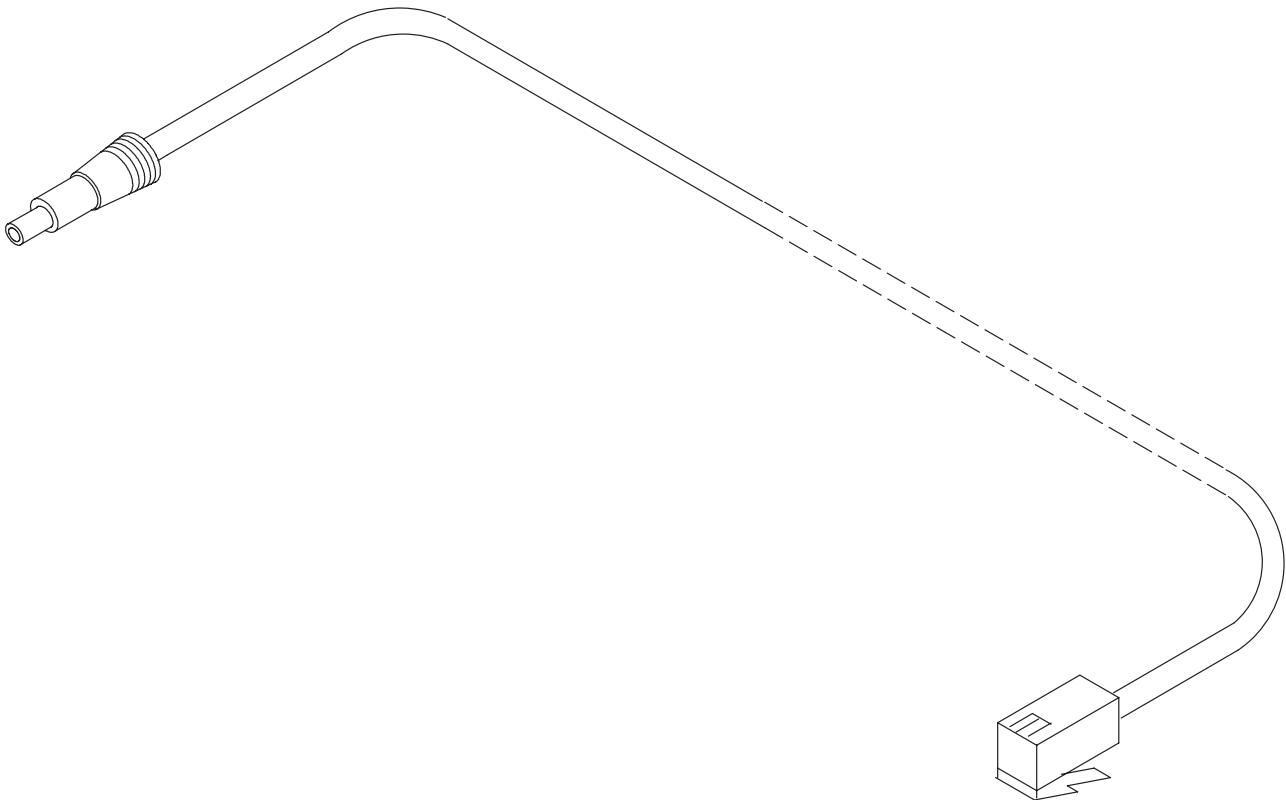
DC Charging Cable PCC-1

The DC Cable PCC-1 is used e.g. to connect FLA-5/7 and TDF-4.

Product Code

DC Cable PCC-1 (with modular RJ connector): 0730053

View of PCC-1



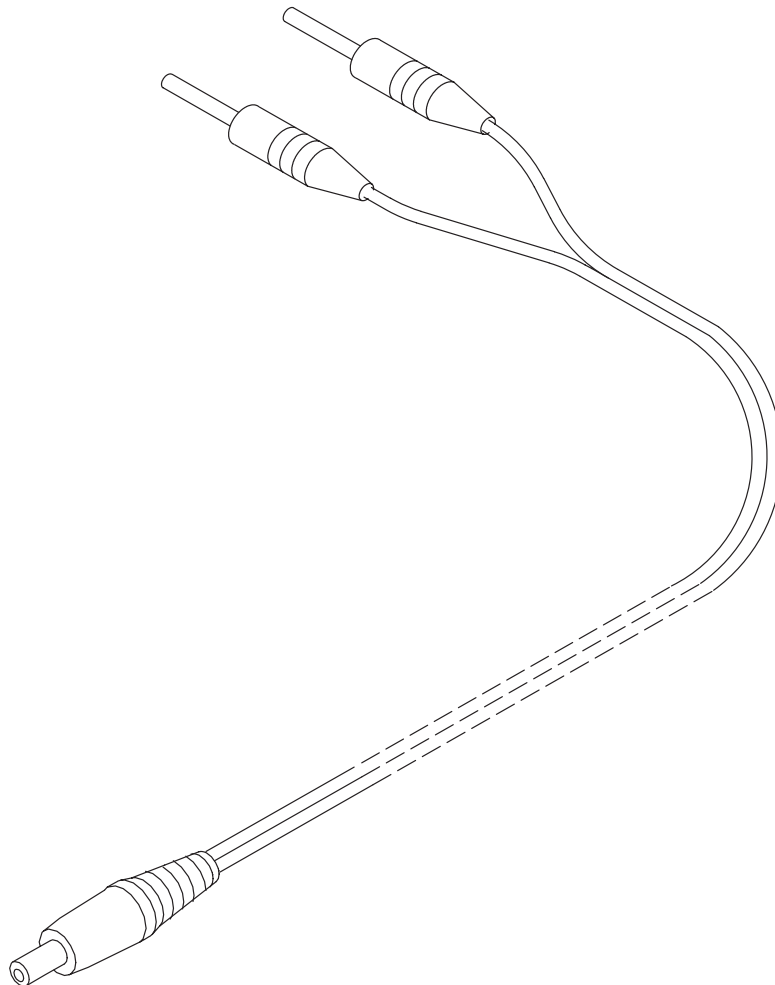
Power Cable PCS-1

The Power Cable PCS-1 is used to connect the module jigs MJS-9 and JBU-6 to an external power supply. Can be used with FPS-4 also.

Product Code

Power Cable PCS-1: 0730012

View of PCS-1



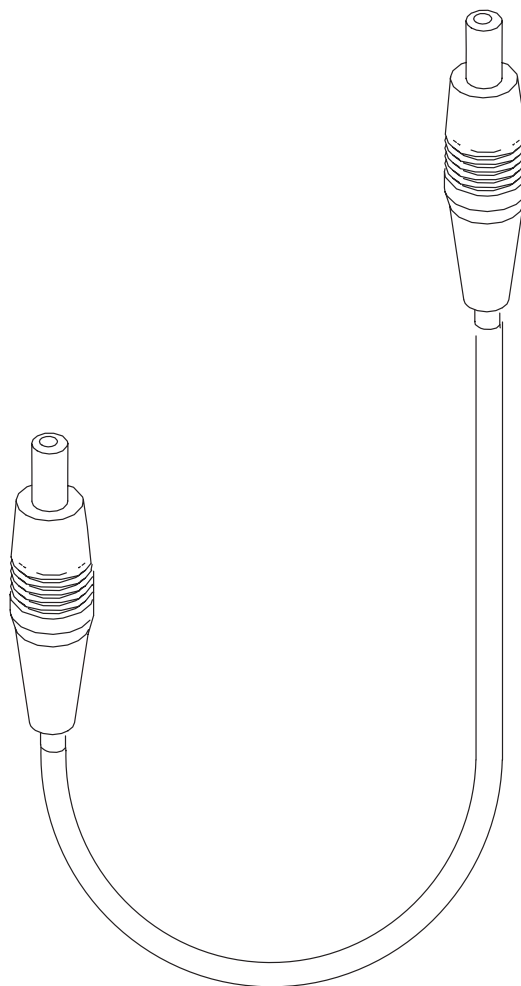
DC Cable SCB-3

The DC Cable SCB-3 is used to connect the Service Battery to the charger connection Vin of the phone when doing the charger calibration service procedure.

Product Code

DC Cable SCB-3: 0730114

View of SCB-3



DC Power Cable SCF-7

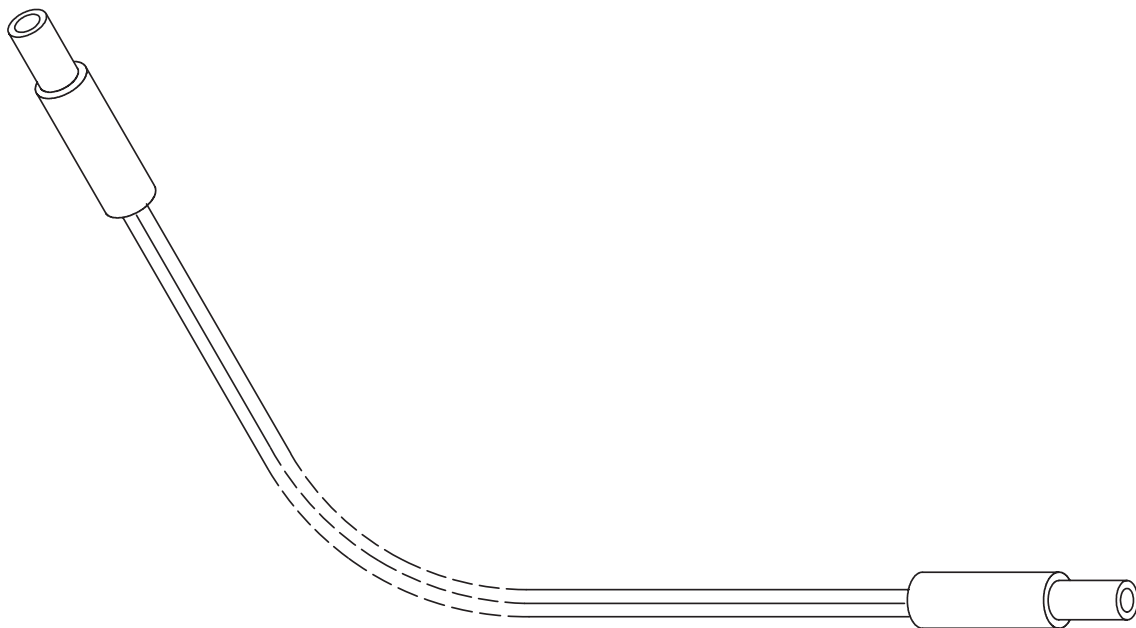
The DC Power Cable SCF-7 is used for connecting power from ACL-3 charger via FLA-7 to FPS-4.

Product code

The DC Power Cable SCF-7:

0730141

View of SCF-7



Service Cable XMS-3

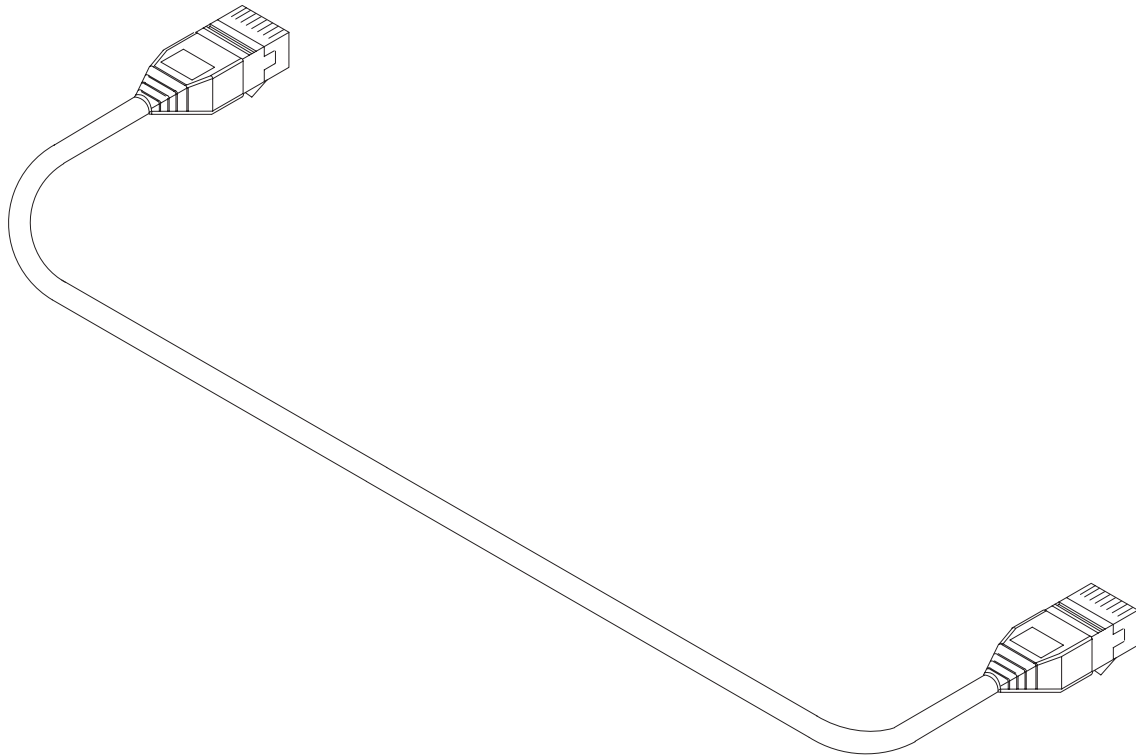
XMS-3 is a modular cable for flashing and service purposes.

Product code

Service Cable XMS-3:

0730174

View of XMS-3



RF Cable XRF-1

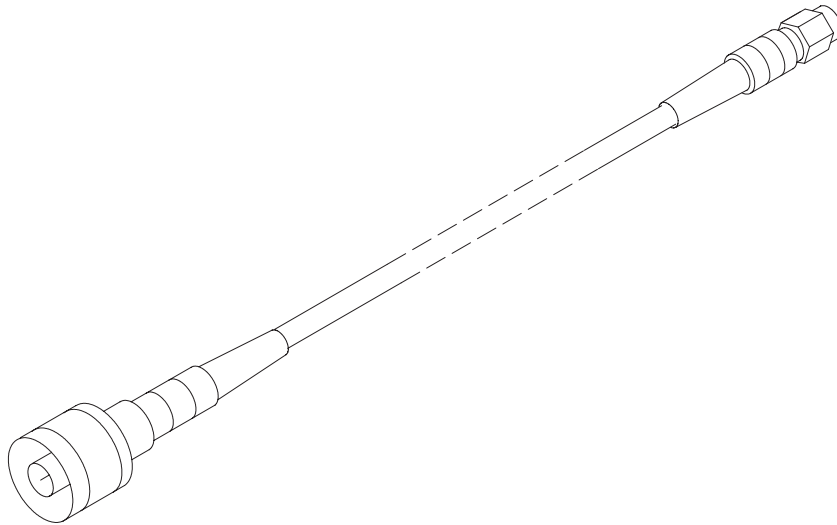
RF cable XRF-1 is used to connect RF Test adapter AAT-8 or Test frame MJS-9 to RF measurement equipment.

Product code

RF Cable XRF-1:

0730085

View of XRF-1



RF Cable XRS-3

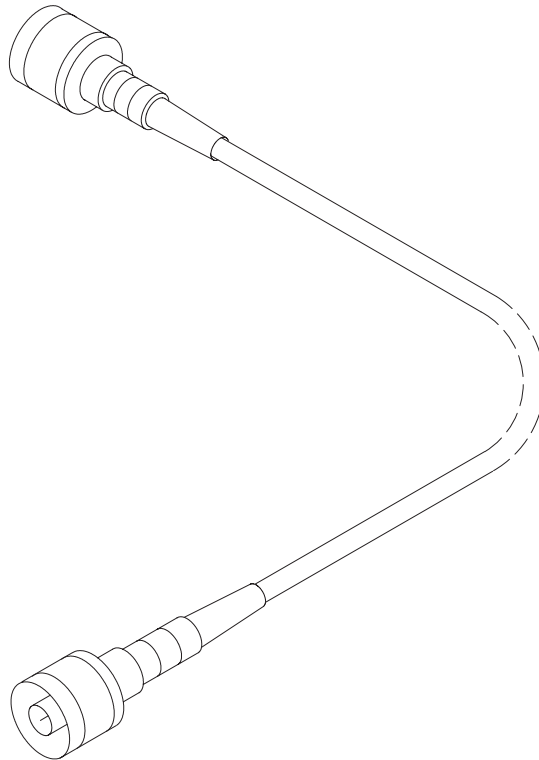
RF cable XRS-3 is used to connect JBU-6 Service Box to RF measurement equipment.

Product code

RF Cable XRS-3:

0730184

View of XRS-3



SW Security Device PKD-1

SW security device is a piece of hardware enabling the use of the service software when connected to the parallel (LPT) port of the PC. Without the dongle present it is not possible to use the service software. Printer or any such device can be connected to the PC through the dongle if needed.

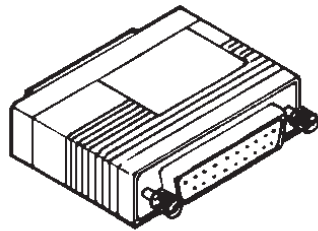
Caution: Make sure that you have switched off the PC and the printer before making connections!

Caution: Do not connected the PKD-1 to the serial port. You may damage your PKD-1!

Product Code

SW Security Device PKD-1: 0750018

View of SW Security Device



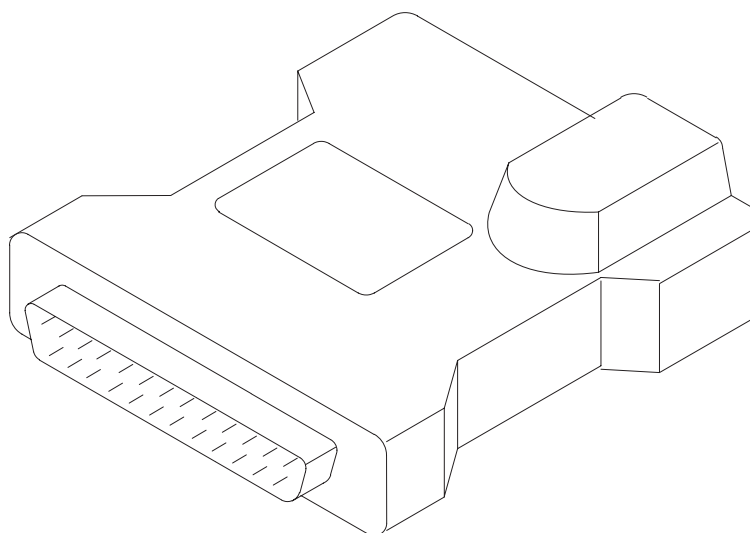
Dongle/Flash Device FLS-2D (Sales Pack)

FLS-2D is a dongle and flash device incorporated into one package, developed specifically for POS use. Use Flash Loading Adapter FLA-10 (0081346) with FLS-2D.

Sales package code

Sales Pack - Europe/Africa	0081311
Sales Pack -APAC	0081310
Sales Pack -US	0081309

View of FLS-2D



Sales Pack Contents

Part No.	Description
0750142	FLS-2D Flash Device.
0730163	AXS-4U Cable.
0770177	Disk- Installation package, 16bit Dongle Drivers.
0770176	Disk - Installation package, 32bit Dongle Drivers.
0774120	Disk - Installation package for the FLE-5 Drivers.
0774123	Disk - Remote Update Application Installation Package.
0275405	Installation and User Guide
0275404	Registration Request Form

Note: in addition to this Sales Pack, a Service Cable will be required to connect the FLS-2D to the Product/Phone to be flashed, e.g. XMS-3, and a software package to run the flashing process.

This page intentionally left blank.